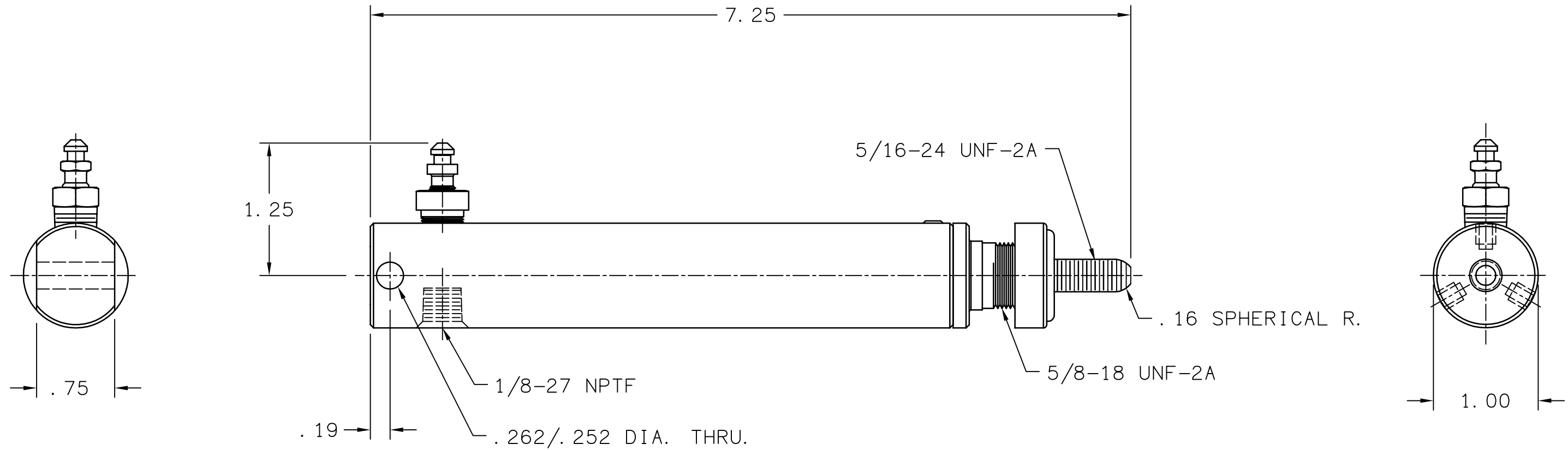


PART NUMBER	12-120-016
NPI OR ECN NO.	
ECO 2804	11-4-94
ECO 2707	8-26-93
ECO A-539	11-14-90



NOTES:

- 1) FOR USE WITH MINERAL BASE HYDRAULIC OIL ONLY
- 2) MAX WORKING PRESSURE -1500 PSI
- 3) REPAIR KIT P/N 12-100-014
- 4) STROKE - 2.063
- 5) BORE - .625 DIA.
- 6) AREA - .3068
- 7) DISPLACEMENT - .633 CU. IN.



COMPONENT AND SYSTEM RECOMMENDATIONS MADE BY MICO, INC. ARE BASED ON INFORMATION SUPPLIED BY POTENTIAL USER AND/OR SYSTEM DESIGNER. THE POTENTIAL USER AND/OR DESIGNER MUST MAKE FINAL ACCEPTANCE AND APPROVAL OF COMPONENTS AND SYSTEM AFTER TESTING PERFORMANCE ON AN ACTUAL APPLICATION FOR WHICH SYSTEM WAS DESIGNED.

MICO, INC. CLAIMS PROPRIETARY RIGHTS TO THE MATERIAL DISCLOSED IN THIS DOCUMENT. THIS DOCUMENT IS PROVIDED IN CONFIDENCE AND MAY NOT BE REPRODUCED OR DISCLOSED WITHOUT WRITTEN PERMISSION FROM MICO, INC. COPYRIGHT MICO, INC. ALL RIGHTS RESERVED.

TITLE				SLAVE CYLINDER	
SCALE	CHECKED	PART NUMBER	REV		
1-1	LH 12/04/02	12-120-016	G		
DRN	APP ENG	CUSTOMER COPY			
LH	KMM 12/04/02				