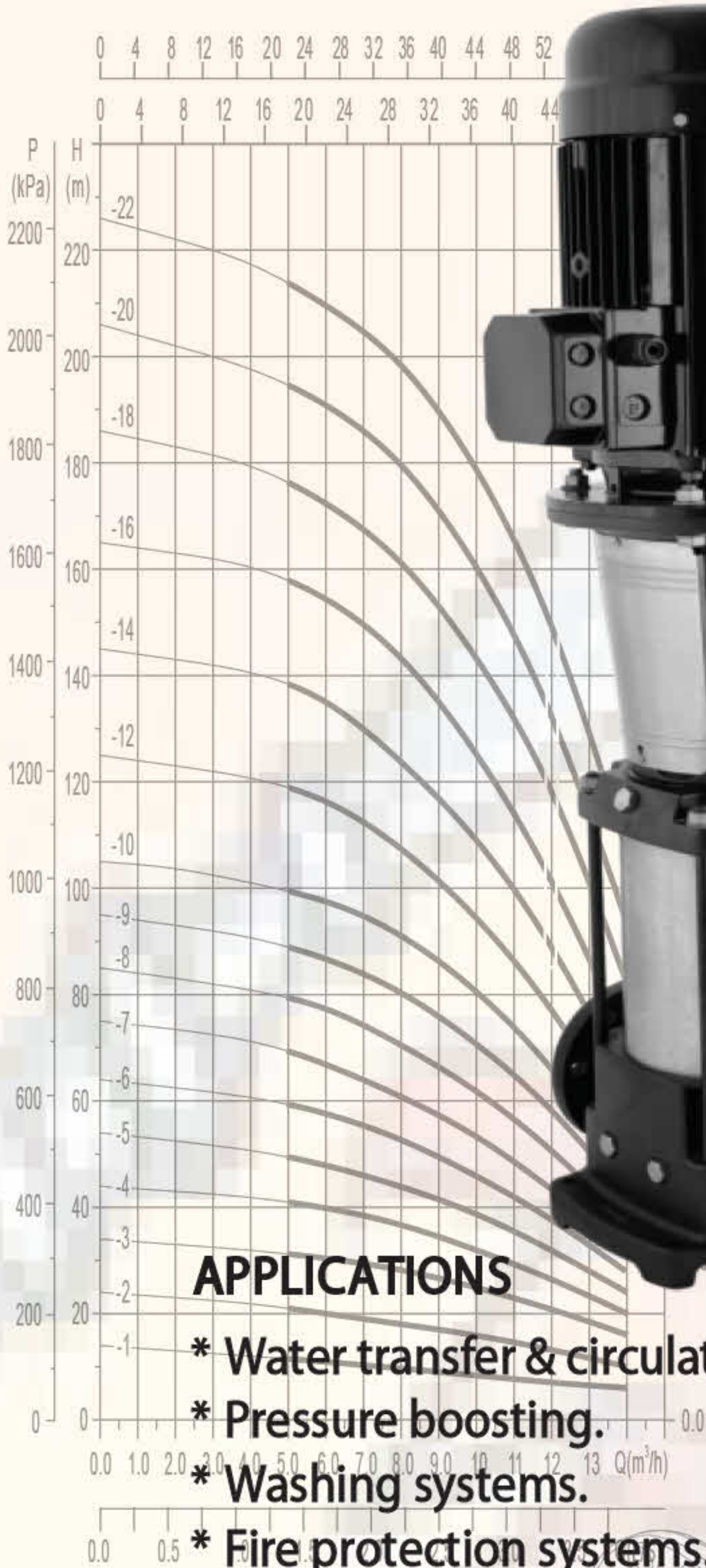




VERTICAL IN-LINE MULTISTAGE PUMP



APPLICATIONS

- * Water transfer & circulation.
- * Pressure boosting.
- * Washing systems.
- * Fire protection systems.
- * Irrigation systems.

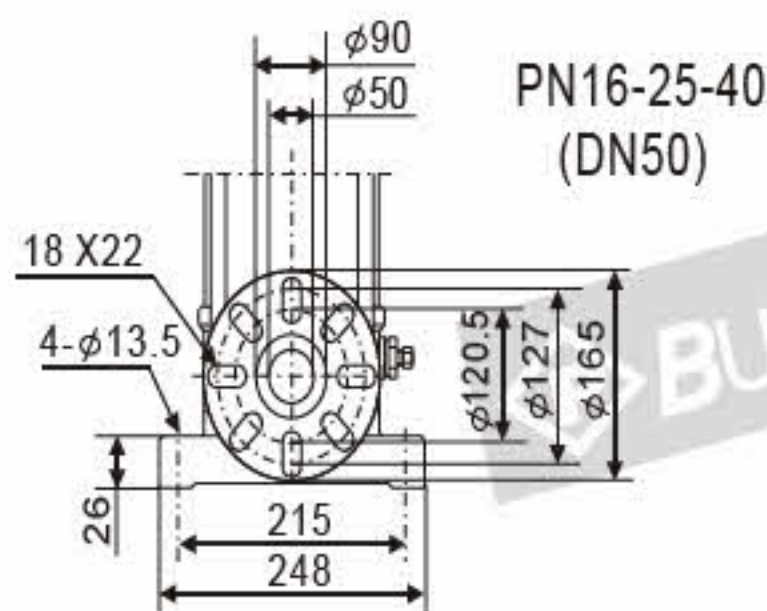
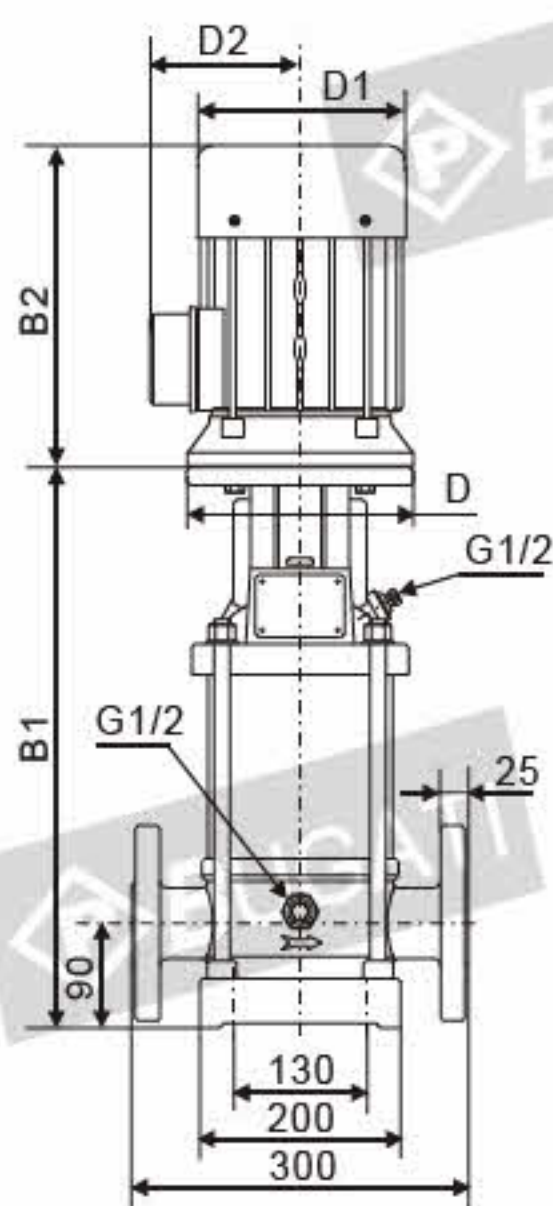
- * Boiler feed.
- * Water treatment plants.
- * Fountains.
- * For civil, industrial sector.



Performance table

Model	Power P ₂ (kW)	Q (m ³ /h)	8	10	12	14	15	16	18	20	22	24
CVM16-1	1.1	H (m)	14	13	12	11.5	11	10.5	10	9	8	7
CVM16-2	2.2		26	25	24	23	22	21	20	18	16	14
CVM16-3	3.0		39	38	37	34	33	31	29	27	24	20
CVM16-4	4.0		52	50	48	46	45	43	40	36	31	26
CVM16-5	4.0		66	64	61	58	56	54	50	45	39	33
CVM16-6	5.5		80	78	75	70	67	65	60	54	47	41
CVM16-7	5.5		94	92	88	83	80	78	71	64	56	50
CVM16-8	7.5		108	105	101	96	93	90	83	75	66	57
CVM16-9	7.5		122	119	115	109	106	103	95	87	77	66
CVM16-10	11		136	133	128	123	120	116	107	98	86	76
CVM16-12	11		158	155	150	144	140	135	126	116	102	89
CVM16-14	11		183	178	172	165	162	156	145	133	118	103
CVM16-16	15		210	204	197	190	185	179	168	153	137	118
CVM16-17	15		224	218	212	203	198	193	181	166	151	129

Installation sketch



Model	Size(mm)						Weight (kg)
	B1	B2	B1+B2	D	D1	D2	
CVM16-1	350	241	591	-	154	111	40
CVM16-2	403	293	696	-	177	116	45
CVM16-3	448	293	723	-	177	116	50
CVM16-4	513	305	768	-	197	148	55
CVM16-5	558	305	863	-	197	148	58
CVM16-6	624	390	1014	300	275	210	90
CVM16-7	669	390	1059	300	275	210	93
CVM16-8	714	390	1104	300	275	210	97
CVM16-9	759	390	1149	300	275	210	98
CVM16-10	824	505	1325	350	330	255	140
CVM16-12	914	505	1415	350	330	255	144
CVM16-14	1004	505	1505	350	330	255	147
CVM16-16	1094	505	1595	350	330	255	148
CVM16-17	1139	505	1640	350	330	255	160



BUGATI

CVM Vertical Multistage Pump

Performance Curve

